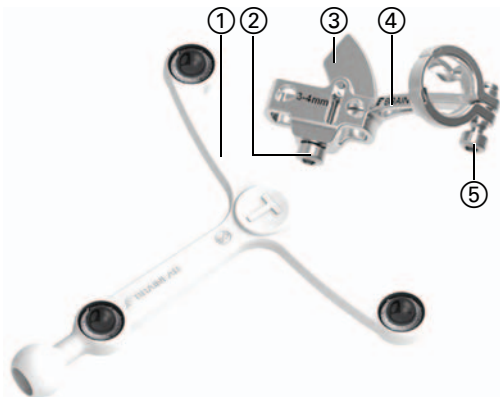


HOW TO USE CLEARLENS BONE REFERENCE

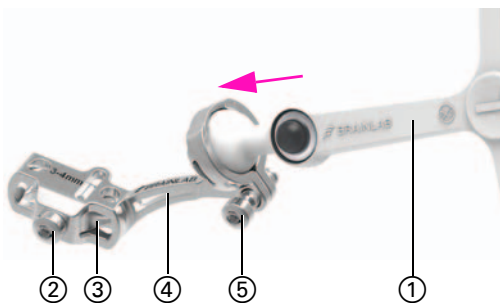
Hardware: ClearLens Bone Reference Tibia/Femur



OVERVIEW

ClearLens Bone Reference Tibia/Femur contains the following parts:

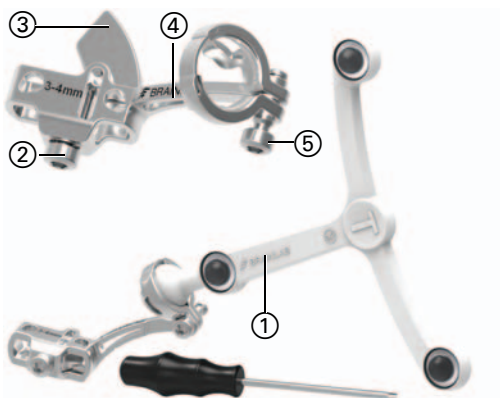
- ① ClearLens Tracking Array Tibia/Femur
- ② Fixing Screw
- ③ Wedge
- ④ ClearLens Bone Fixator 2-Pin
- ⑤ Fixing Screw



ASSEMBLE CLEARLENS BONE REFERENCE TIBIA/FEMUR

- Fully open the screw ⑤.
- Push ClearLens Tracking Array Tibia/Femur ① into ClearLens Bone Fixator 2-Pin ④.
- Fix ClearLens Bone Fixator 2-Pin ④ onto the Schanz screws and tighten the screw ②.
- Check visibility and array alignment on the navigation screen, then secure it using the screw ⑤.

NOTE: Ensure that the array's ball joint is securely tightened prior to registration and surgery.



DISASSEMBLE CLEARLENS BONE REFERENCE TIBIA/FEMUR

- Fully open screws ② and ⑤.
- Detach and dispose of ClearLens Tracking Array Tibia/Femur ①.
- Pivot the wedge ③ so that the inner thread can be cleaned and disinfected.

NOTE: Always dispose of ClearLens Tracking Array Tibia/Femur after use.



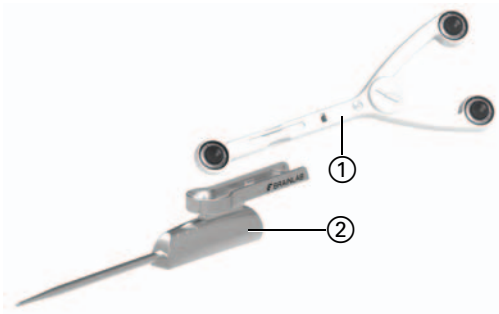
REPROCESS CLEARLENS BONE REFERENCE TIBIA/FEMUR

Follow the instructions in the **Cleaning, Disinfection and Sterilization Guide** to perform the following steps:

- Disassemble
- Pretreat
- Automatic cleaning and disinfection
- Steam sterilization

HOW TO USE CLEARLENS POINTER

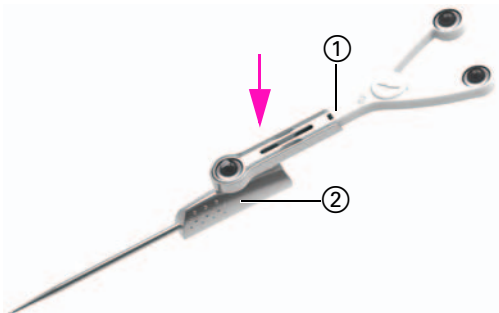
Hardware: ClearLens Pointer



OVERVIEW

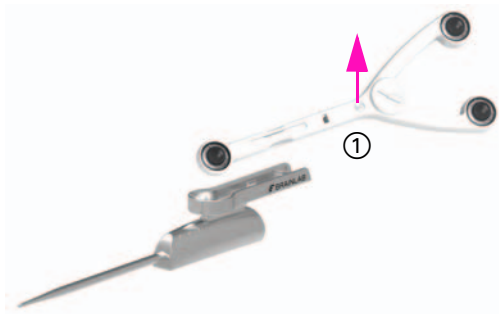
ClearLens Pointer contains the following parts:

- ① **ClearLens Tracking Array Pointer**
- ② **ClearLens Pointer Handle - Knee**



ASSEMBLE CLEARLENS POINTER

- Clip **ClearLens Tracking Array Pointer** ① into **ClearLens Pointer Handle - Knee** ②.
- Ensure that the array is fully seated within the interface.



DISASSEMBLE CLEARLENS POINTER

- Detach and dispose of **ClearLens Tracking Array Pointer** ①.

NOTE: Always dispose of **ClearLens Tracking Array Pointer** after use.



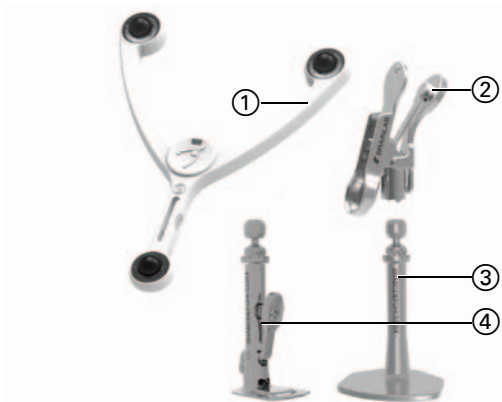
REPROCESS CLEARLENS POINTER

Follow the instructions in the **Cleaning, Disinfection and Sterilization Guide** to perform the following steps:

- Disassemble
- Pretreat
- Automatic cleaning and disinfection
- Steam sterilization

HOW TO USE CLEARLENS PLANE TOOL

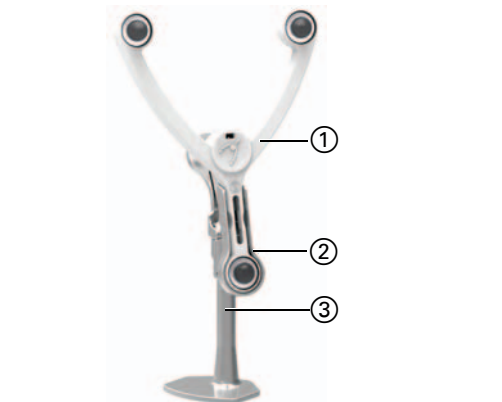
Hardware: ClearLens Plane Tool



OVERVIEW

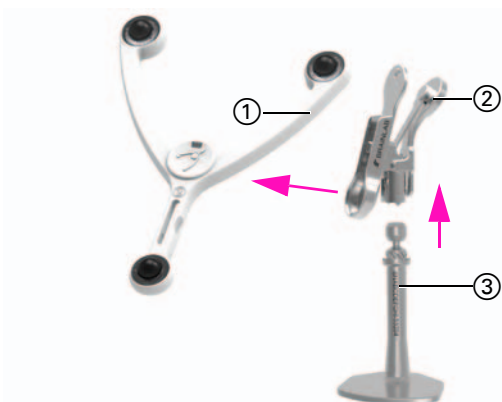
ClearLens Plane Tool contains the following parts:

- ① **ClearLens Tracking Array Plane Tool**
- ② **ClearLens Knee Plane Tool - Interface**
- ③ **Bone Verification Plate** or
- ④ **Cutting Block Adapter**



ASSEMBLE CLEARLENS PLANE TOOL

- Attach **ClearLens Knee Plane Tool - Interface** ② onto **Bone Verification Plate** ③ or the **Cutting Block Adapter**.
- Clip **ClearLens Tracking Array Plane Tool** ① into **ClearLens Knee Plane Tool** ②.
- Ensure that the array is fully seated within the interface.



DISASSEMBLE CLEARLENS PLANE TOOL

- Detach and dispose of **ClearLens Tracking Array Plane Tool** ①.
- Press on the interface lever ② and detach the **Bone Verification Plate** ③ or the **Cutting Block Adapter**.

NOTE: Always dispose of **ClearLens Tracking Array Plane Tool** after use.



REPROCESS CLEARLENS PLANE TOOL

Follow the instructions in the **Cleaning, Disinfection and Sterilization Guide** to perform the following steps:

- Disassemble
- Pretreat
- Automatic cleaning and disinfection
- Steam sterilization



Brainlab AG
Olof-Palme-Straße 9
81829 Munich
Germany

Europe, Africa, Asia, Australia: +49 89 991568 1044
United States, Canada, Central and South America:
+1 800 597 5911
Japan: +81 3 3769 6900
France: +33 800 676 030

E-mail: support@brainlab.com

COPYRIGHT:

This guide contains proprietary information protected by copyright. No part of this guide may be reproduced or translated without the express written permission of Brainlab.

Document Revision: 1.0

Article Number: 60917-21EN

LIABILITY:

This guide is subject to change without notice and does not represent a commitment on the part of Brainlab.

For further information, please refer to the "Limitations of Liability" section in the Brainlab Standard Terms and Conditions of Sale.

